

EL[®]MARK

The Brand of Electricity

ELMARK LED PANEL SQUARE OM

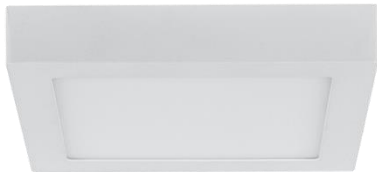
GENERAL INFORMATION »

- ∴ Rated voltage: 230V/50-60Hz
- ∴ Power: 18W
- ∴ Power supply: Control gear; DC device- driver
- ∴ Colour temperature: 6400K; 4000K; 2700K
- ∴ LED source: SMD2835
- ∴ Colour: White
- ∴ Body: Aluminium
- ∴ Beam angle: 120°
- ∴ Colour rendering index: Ra≥80
- ∴ Switch on/off: >20000
- ∴ Average lifetime: 30000h
- ∴ Starting time: <0,5s
- ∴ Power factor: $\lambda > 0.8$
- ∴ Installation: surface mounted luminaire
- ∴ Protection against dust and moisture: IP40
- ∴ Available in variant with an emergency kit



FEATURES »

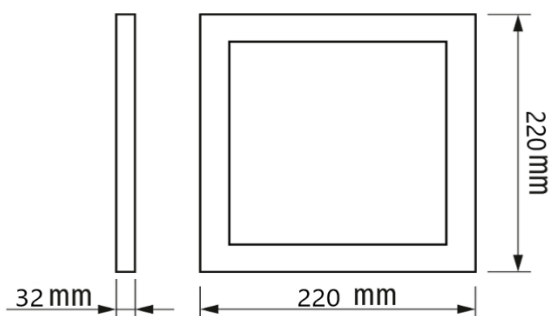
- ∴ Completely replace traditional fluorescent lighting
- ∴ Safety, low voltage operation
- ∴ Emit a very pleasant and even light with very low glare factor due to the diffusion lens
- ∴ Low power consumption
- ∴ Instant light with maximum luminous flux
- ∴ Environmentally friendly - do not emit mercury and lead
- ∴ No ultraviolet and infrared rays
- ∴ Resistant to shock and vibration
- ∴ Suitable for home, offices, halls, shops, hospitals



PRODUCT DETAILS »

Catalogue number	Catalogue number with Emergency kit	Dimmable	Watt (W)	Whole fixture lumens (lm)	Colour temp. (K)	Colour body
99LED969CW	99LED969CWE	-	18	1420	6400	white
99LED969	99LED969E	-	18	1420	4000	white
99LED969WW	99LED969WWE	-	18	1420	2700	white

DIMENSIONS »



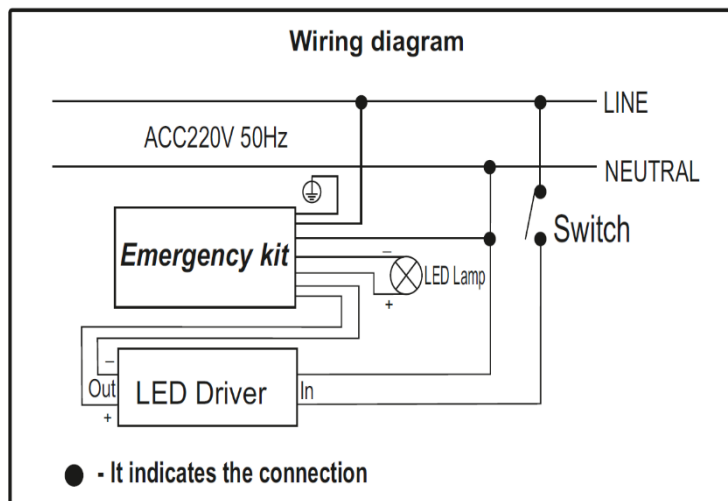
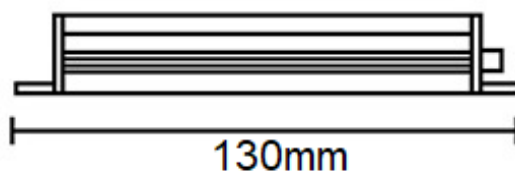
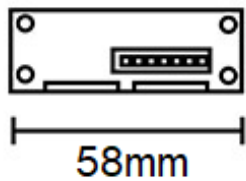
Catalogue number	Length (mm)	Width (mm)	Height (mm)
99LED969CW	220	220	32
99LED969	220	220	32
99LED969WW	220	220	32
99LED969CWE	220	220	32
99LED969E	220	220	32
99LED969WWE	220	220	32

LED EMERGENCY KIT SPECIFICATIONS »



General information »

- ∴ Voltage: AC85-265V 50Hz
- ∴ Emergency Output: 3-40W
- ∴ Emergency Time: 2hrs (120mins)
- ∴ Battery: 3.7V 2400mAh
- ∴ Emergency Switching Time: <2s
- ∴ AC Fuse: 250V 1A
- ∴ DC Fuse: 250V 5A
- ∴ Luminous Flux: >100lm
- ∴ Light Source: LED
- ∴ Working temperature: -10°C +55°C
- ∴ IP Rate: IP30



[ADDITIONAL INFORMATION »](#)

Catalogue number	Barcode	Packing/Box (pcs)
99LED969CW	3800131215918	1/20
99LED969	3800131215901	1/20
99LED969WW	3800131215895	1/20
99LED969CWE	3800131234254	1/20
99LED969E		1/20
99LED969WWE	3800131240866	1/20

